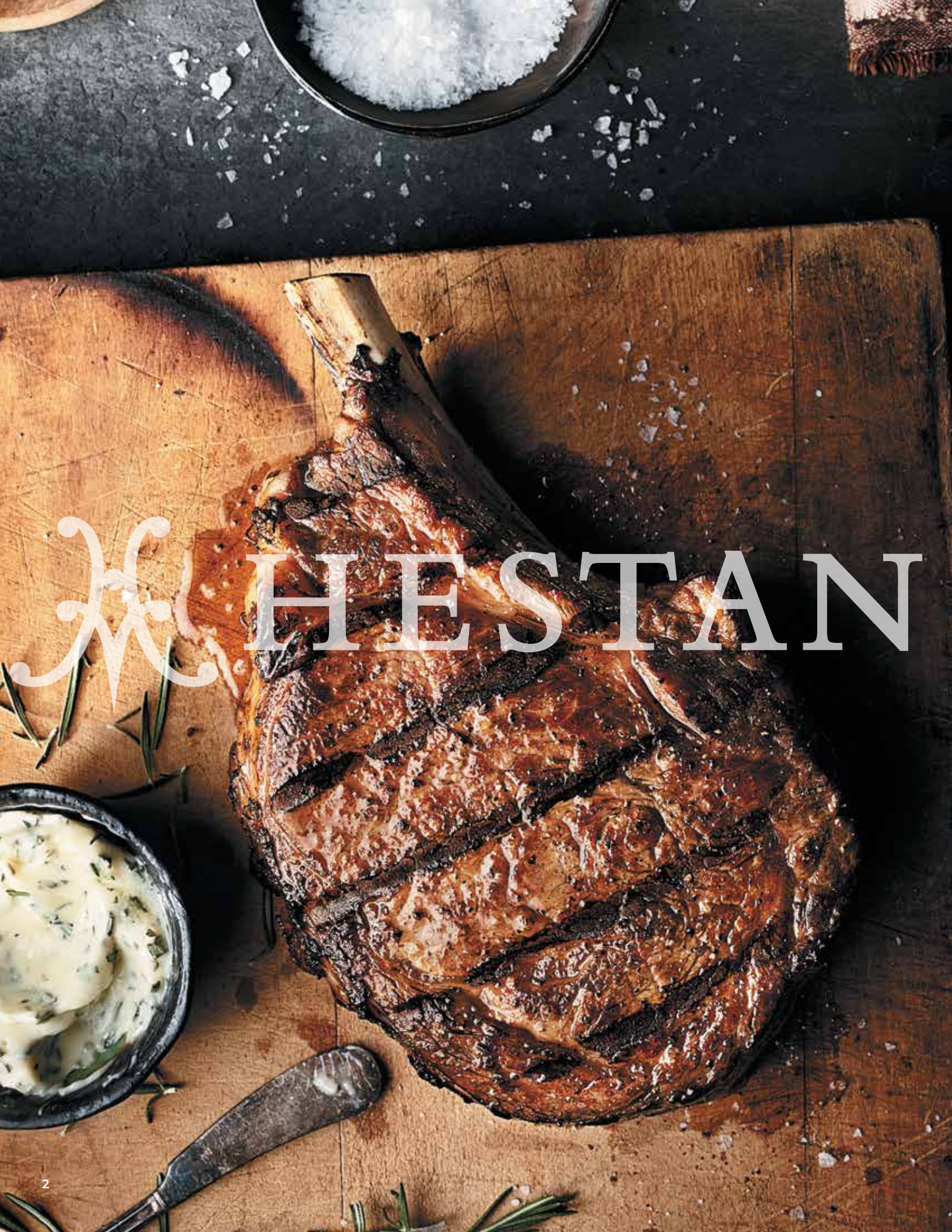


 HESTAN

Outdoor Cooking



CANADA
OUTDOOR
KITCHENS



HESTAN

GRILLING IS A PERFECTIONIST'S PURSUIT. YOUR GUESTS RAVE. BUT YOU KNOW JUST THE TRICK TO MAKE IT EVEN BETTER NEXT TIME. A DASH MORE OF THIS. A PINCH LESS OF THAT. SOAK THE MESQUITE CHIPS OVERNIGHT IN WHISKEY. NO, MAKE THAT BOURBON.

HESTAN OUTDOOR WAS BORN FROM THIS SAME PERFECTIONIST PASSION. OUR ENGINEERS EXPERIMENTED, INNOVATED, TWEAKED AND TINKERED UNTIL THEY CREATED THE MOST POWERFUL, VERSATILE AND RELIABLE OUTDOOR KITCHEN AVAILABLE. THE ONLY DRAWBACK WITH THIS LEVEL OF PERFORMANCE IS YOU CAN'T BLAME ANYTHING ON THE GRILL. RISE TO THE CHALLENGE.

GRILLS

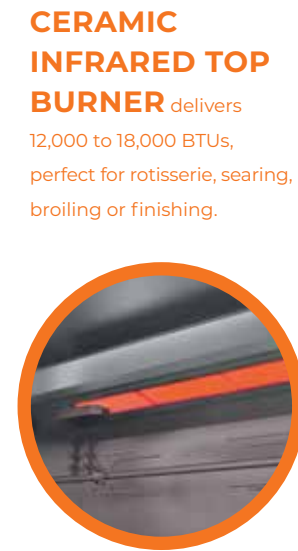




36" Grill



30", 36" or 42" Grills on Tower Cart with optional Side Burner with Double Drawers/Door



CERAMIC INFRARED TOP BURNER delivers 12,000 to 18,000 BTUs, perfect for rotisserie, searing, broiling or finishing.



30" or 36" Grills on Tower Cart with Double Doors

Grilling is a personal obsession. So Hestan Outdoor offers options for every grill-master (and architect). Built-in or Freestanding. They're all made from superior-grade stainless steel and include incomparable features like our whisper-quiet rotisserie, infrared rotisserie burner, flip-to-clean ceramic briquettes and signature DiamondCut® Grates. The spring-assisted Horizon Hood™ opens easily and holds at your desired height. Motion-activated Stadium Lights® under-hood halogen lighting helps you keep an eye on everything. And the powerful Trellis Burner™ system delivers both precision control and even heat coverage.

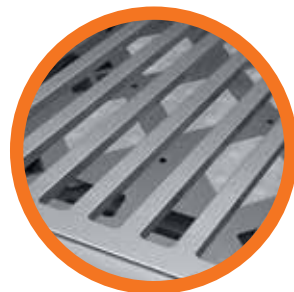


All Hestan grills available in 12 signature colors/finishes.



36" or 42" Freestanding Deluxe Grills with Double Side Burners

5/16" STAINLESS STEEL DIAMONDCUT® GRATES are laser cut to ensure even heat distribution, durability and easy cleaning.



Large capacity storage drawer conveniently conceals propane tank.

42" Built-in Grill shown here in Lush.





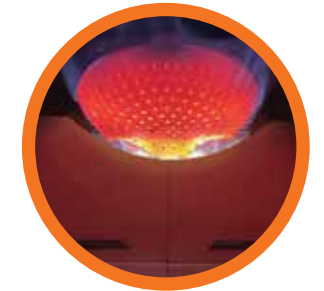
CAMPANIA PIZZA OVEN™



33" Campania Pizza Oven™

HIGH-PERFORMANCE. HIGHLY-EFFICIENT.

The canopy shape creates natural convection for balanced and efficient heat circulation from the radiant burner.



Yes, the Campania Pizza Oven™ makes truly magnificent pizzas. But, more importantly, it elevates those pizzas into occasions. Date night. Family night. Backyard brunch. Dessert under the stars. A radiant burner and heavy-duty ceramic pizza stone ensure perfectly crispy crusts while the unique dome shape creates convection heat for evenly cooked toppings. But don't stop at pizzas. The Campania Pizza Oven™ also delivers the perfect char on steak night.



Available in our 12 signature colors/finishes.



IT WAS
ALL
A DREAM

REFRIGERATION



15" Ice Machine



24" Beer Dispenser Single Faucet



24" Beer Dispenser Double Faucet

Grilling means more than sharing food. It's about sharing the moment. As the smoke wafts, smiles get bigger, stories get longer and your friends get thirsty. From refrigerated drawers and ice machines to beer taps and wine storage, Hestan Outdoor keeps your ingredients fresh and your guests refreshed. Refrigerators and refrigerated drawers keep burgers or beverages handy. The wine refrigerator protects your wine from the elements with temperature zones for your reds and whites. And the ice machine produces up to 55 pounds of crystal-clear ice every 24 hours. So you're always prepared for a couple dozen friends to drop by.

LOW E, UV-COATED GLASS protects wine from sunlight, while the rack design protects from vibration.



24" Dual Zone Solid Door Refrigerator with Wine Storage



24" Dual Zone Glass Door Refrigerator with Wine Storage

Refrigerators, Beer Dispensers and Drawers available in our 12 signature colors/finishes.



24" Refrigerated Drawers / 24" Refrigerated Drawer and Freezer Drawer



24" Solid Door Refrigerator (Also available with glass door)

UNDERCOUNTER REFRIGERATORS, REFRIGERATOR DRAWERS AND FREEZER DRAWERS deliver convenient cold storage.



VENTILATION, STORAGE & CLEANUP



OUTDOOR VENTILATION

ensures the fresh air stays fresh.



42", 48" or 54" Outdoor Hoods



30" or 36" Single Storage Drawers



Paper Towel Dispenser

We believe the outdoor kitchen should offer all the convenience of the great indoors. So we've outfitted the Hestan Outdoor lineup with helpful details to keep everything clean and organized. Storage drawers, access doors and a sealed pantry keep your secret ingredients close at hand and safe from the elements (or animals), while trash chutes and recycle centers keep the party tidy. And outdoor vent hoods clear the air in your covered patio.

**SEALED PANTRY
KEEPS ALL YOUR
SPICES AND
CONDIMENTS SAFE
AND HANDY.**



20" Trash and Recycle Storage Drawer



Countertop Trash Chute



18" or 24" Single Access Doors



30", 36" or 42" Double Access Doors



16" Double Drawers



30", 36" or 42" Double Drawers and Storage Door Combination



30", 36" or 42" Double Storage Doors



36" Double Sealed Pantry Storage Doors

All Doors, Drawers, Hoods and Paper Towel Dispenser available in our 12 signature colors/finishes.

COMPLEMENTARY PRODUCTS & ACCESSORIES



Add even more power, performance and versatility to your Hestan Outdoor kitchen. The 70,000 BTU power burner handles any crab boil (or crawfish, if you prefer). Side burners let you take care of all your sauces and side dishes while you grill. The convection warming drawer can slow-cook meats for finishing on the grill, or just keep your burger buns fresh and toasty. Crank up the hospitality with the addition of a refreshment center. A speed rail keeps your spirits at the ready, while the sink, faucet and ice bin complete the wet bar setup. Heavy-duty construction and insulation keeps your drinks refreshed all night.



Refreshment Center



Insulated Sink
(shown with optional faucet)



Ice Bin



24" Power Burner



12" Single Side Burner



12" Double Side Burner

REFRESHMENT CENTER

serves as your outdoor wet bar with sink, faucet and ice bin.



30" Warming Drawer

DIAMONDCUT® GRATE

Commercial-grade 1/2" diameter stainless steel rod grate with 1/4" thick removable DiamondCut® Grate center accommodates 14"-20" diameter woks.





30", 36" or 42" Insulated Jackets



Caster Covers



Smoker Set
Included with grill.



DiamondCut® Grates



Infrared Sear Burner Conversion



Carbon Fiber Vinyl Covers



Carbon Fiber Vinyl Pizza Oven Cover

CHARCOAL TRAY

easily ignites lump coal,
briquettes or wood chips for a
new world of grilling options.



Expand your grilling palette with specialized cooking products. Our custom-made smoker set makes it easy to grill with your favorite wood chips. And the charcoal tray gives you the versatility of all grilling worlds. The griddle plate transforms your grates into an outdoor pancake and bacon station. And the carbon fiber grill cover protects your deluxe and tower cart grills in style.



Griddle Plate for Grill



Griddle Plate for Power Burner



Charcoal Tray

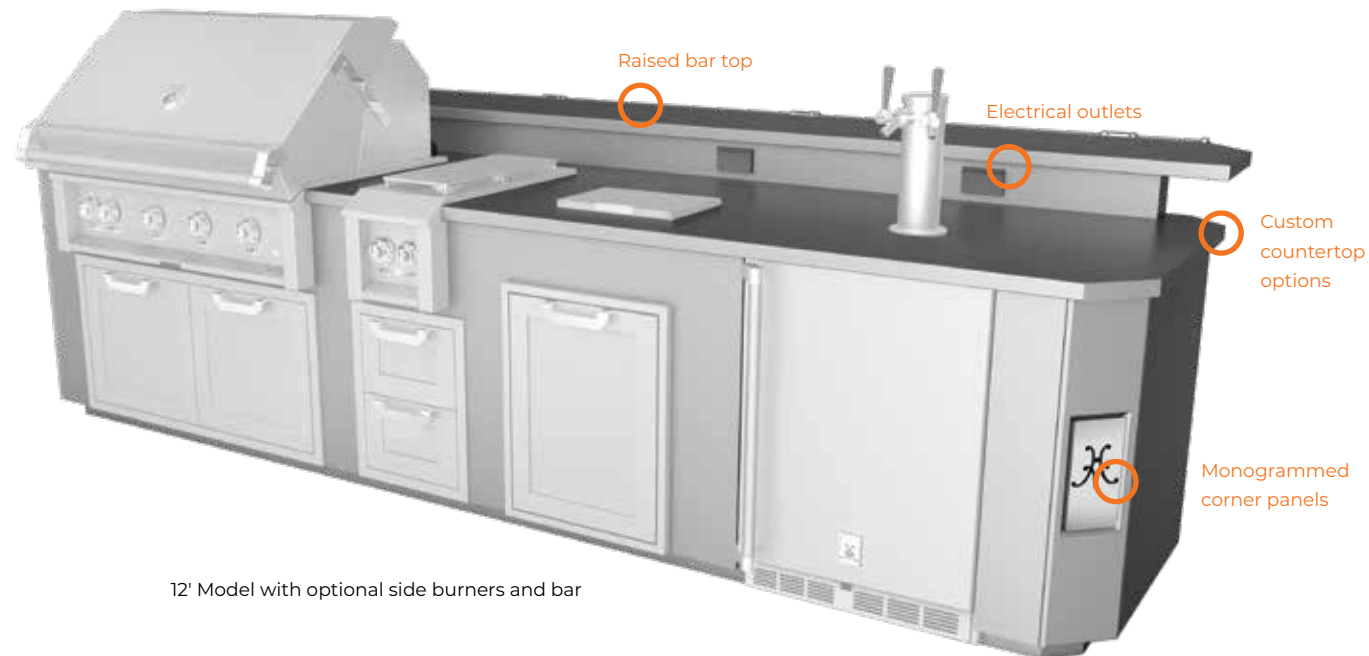


Trellis Burner Conversion Kit

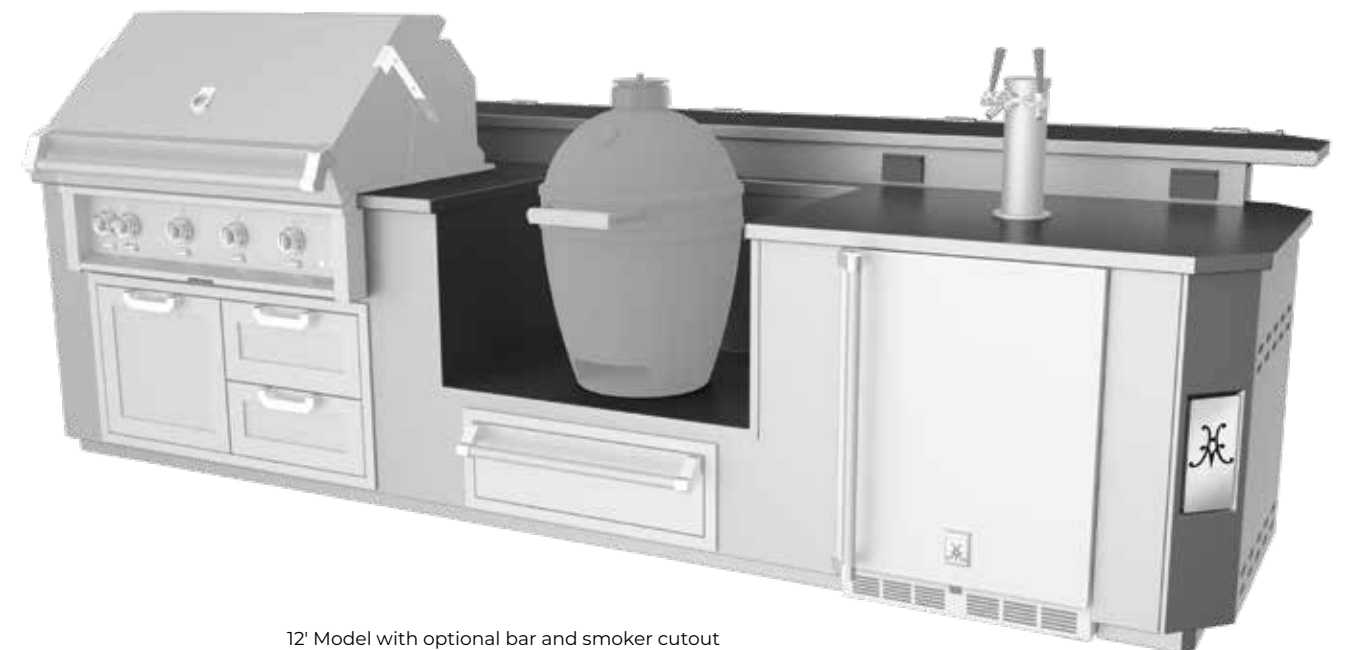


Outdoor Living Suites

Available in 8' and 12' models (appliances not included)



Hestan Outdoor Living Suites transform your patio into a well-stocked oasis with cutouts for grills, side burners, power burner, storage, refrigeration or the all-important beverage dispenser. It can also accommodate your egg shaped smoker/grill. Outdoor Living Suites come equipped with weatherproof outlets and single-point gas and electrical connections to streamline fuel and power for all of your Hestan products. Covers are also available to keep all products protected. The suite can accommodate custom countertops or we can ship it with a fully-welded, single piece stainless steel countertop. Your style. Your choice.



Color

Our signature color finishes offer a spectrum from classic to vibrant. All finishes are powder coated on high-grade stainless steel to withstand the elements.



Sol



Tin Roof



Citra



Matador



Lush



Bora Bora



Stealth

Prince



Froth



Steeletto



Pacific Fog

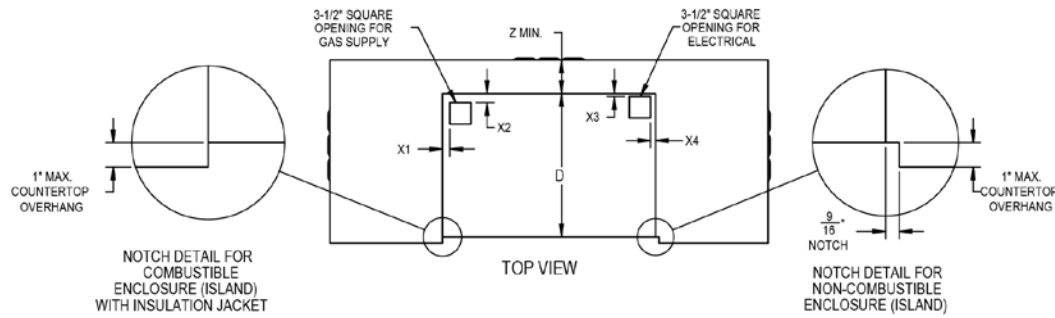
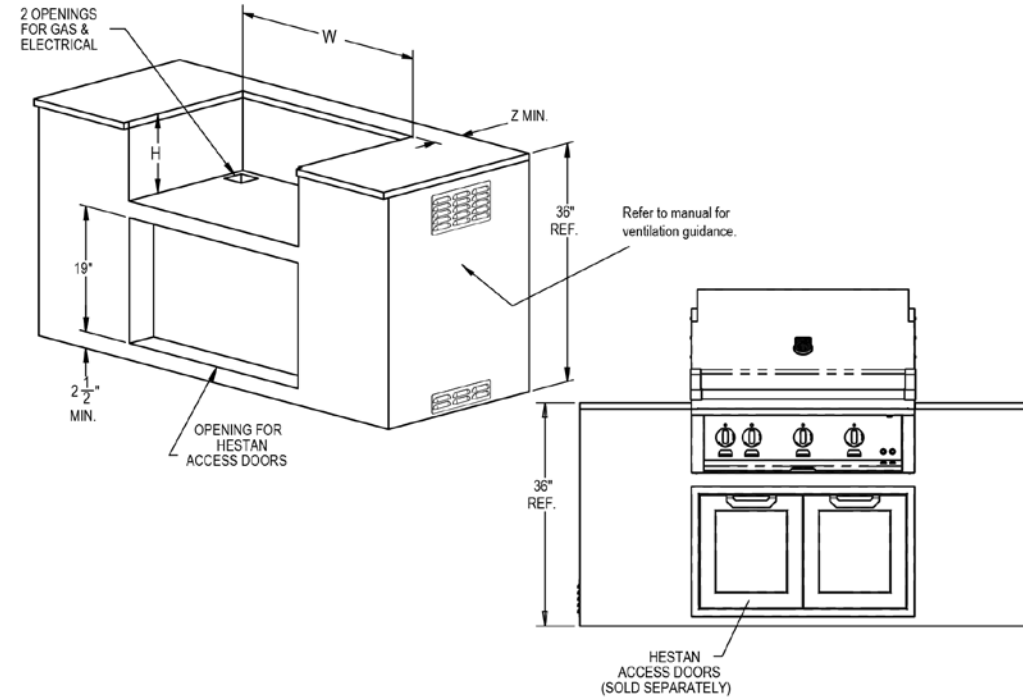


Grove

GRILLING IS AN OBSESSION SHARED BY THE ENGINEERS, DESIGNERS AND WELDERS AT HESTAN. OUR OUTDOOR PRODUCTS ARE THOUGHTFULLY DESIGNED AND DILIGENTLY ENGINEERED TO DELIVER THE UTMOST IN OUTDOOR PERFORMANCE.

EVERY GRILL IS METICULOUSLY BUILT. WE TEST, POLISH AND FINE-TUNE EVERY DETAIL TO MAKE SURE YOUR GRILL IS PERFECT BEFORE IT LEAVES OUR FLOOR. LIFT THE LID ON A NEW LEVEL OF GRILLING POWER.

BUILT-IN GRILL SPECS



| Built - In Models | Description | Cutout Dimensions | | | | | | | | Total Btu's |
|-------------------|--------------------|-------------------|---------|---------|----------|----------|----------|----------|---------|-------------|
| | | W (in.) | D (in.) | H (in.) | X1 (in.) | X2 (in.) | X3 (in.) | X4 (in.) | Z (in.) | |
| C_BR30-NG / -LP | 30" Grill Built-in | 29 | 23-1/2 | 11-1/2 | 1-3/16 | 1-1/2 | 1/4 | 13/16 | 5-1/2 | 62000 |
| C_BR36-NG / -LP | 36" Grill Built-in | 35 | 23-1/2 | 11-1/2 | 1-3/16 | 1-1/2 | 1/4 | 13/16 | 5-1/2 | 89000 |
| C_BR42-NG / -LP | 42" Grill Built-in | 41 | 23-1/2 | 11-1/2 | 1-3/16 | 1-1/2 | 1/4 | 13/16 | 5-1/2 | 118000 |

_= specify burner configuration A= all Trellis Burners M= Sear and Trellis Burners S= all Sear Burners

| INSULATED JACKETS | | | | | | | | | |
|-------------------|-----------------------|---------|---------|----------|----------|----------|----------|----------|---------|
| Model Number | Description | W (in.) | D (in.) | H (in.) | X1 (in.) | X2 (in.) | X3 (in.) | X4 (in.) | Z (in.) |
| AGI130 | Insulated Jacket, 30" | 35 | 25-1/8 | 12-13/16 | 4-3/16 | 3-1/8 | 1-1/2 | 3-13/16 | 3-7/8 |
| AGI136 | Insulated Jacket, 36" | 41 | 25-1/8 | 12-13/16 | 4-3/16 | 3-1/8 | 1-1/2 | 3-13/16 | 3-7/8 |
| AGI142 | Insulated Jacket, 42" | 47 | 25-1/8 | 12-13/16 | 4-3/16 | 3-1/8 | 1-1/2 | 3-13/16 | 3-7/8 |

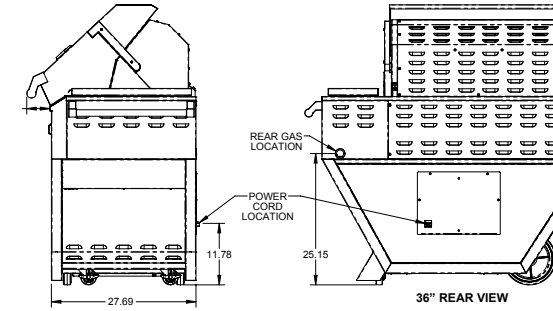
GAS REQUIREMENTS : 1/2" NPT gas connector
 Minimum gas supply is 7" water column for natural gas and 11" for propane. Operating pressure at the manifold is 4" water column for natural gas and 10" for propane. All units require a regulated gas supply. (included)

ELECTRICAL REQUIREMENTS :
 120V, 60Hz, 6 amps



Hestan Commercial Corporation reserves the right to change materials and specifications without notice. Please reference our installation instructions for more elaborate detail and as the main source in your dimensional planning. Specify type of gas when ordering.

DELUXE GRILL SPECS



GAS REQUIREMENTS: 1/2" NPT gas connection.
 Minimum gas supply is 7" water column for natural gas and 11" for propane. Operating pressure at the manifold is 4" water column for natural gas and 10" for propane. All units require a regulated gas supply. (included)

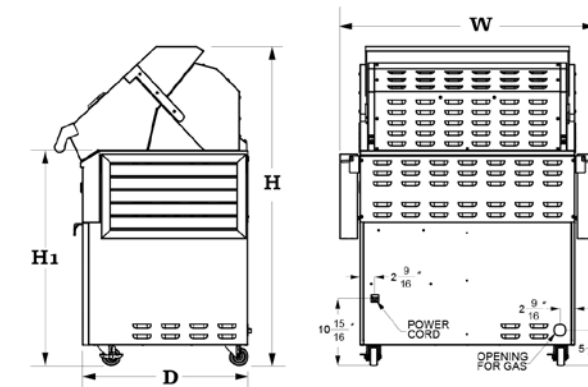
ELECTRICAL REQUIREMENTS: 120V, 60Hz, 7 amps

| All Models | Description | Overall Dims W(in.) x D(in.) x H(in.) | | | Total Btu's |
|--------------------|---|--|--------|---------|-------------|
| C_BR36CX2-NG / -LP | Deluxe Freestanding 36" grill with double side burner | 54-3/4 | 32-1/2 | 53-9/16 | 119000 |
| C_BR42CX2-NG / -LP | Deluxe Freestanding 42" grill with double side burner | 60-3/4 | 32-1/2 | 53-9/16 | 148000 |

_= specify burner configuration

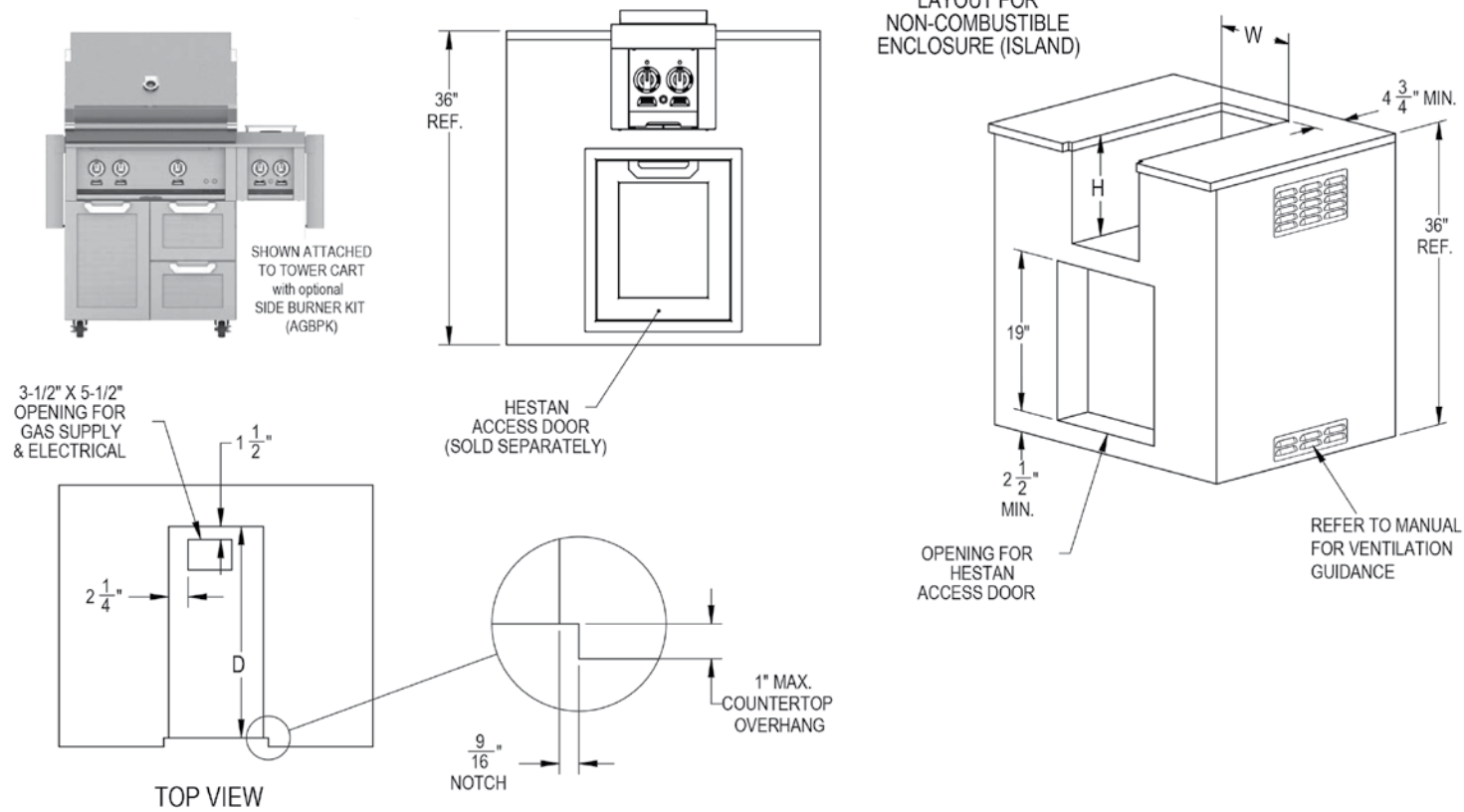
A= all Trellis Burners M= Sear and Trellis Burners S= all Sear Burners

TOWER CART SPECS



| All Models | Description | Overall Dims | | H1 (in.) cart only | with Side Burner (W in.) | w/ Side Burner and Side Shelf (W in.) | |
|------------|--------------------------------|--------------|----------|-----------------------|-----------------------------|---|--------|
| | | W(in.) | D(in.) | | | | H(in.) |
| GCD30 | 30" Double Door Tower Cart | 36-13/16 | 27-13/16 | 53-5/8 | 36-1/16 | 45-3/8 | 48-3/4 |
| GCR30 | 30" Door and Drawer Tower Cart | 36-13/16 | 27-13/16 | 53-5/8 | 36-1/16 | 45-3/8 | 48-3/4 |
| GCD36 | 36" Double Door Tower Cart | 42-13/16 | 27-13/16 | 53-5/8 | 36-1/16 | 51-3/8 | 54-3/4 |
| GCR36 | 36" Door and Drawer Tower Cart | 42-13/16 | 27-13/16 | 53-5/8 | 36-1/16 | 51-3/8 | 54-3/4 |
| GCR42 | 42" Door and Drawer Tower Cart | 48-13/16 | 27-13/16 | 53-5/8 | 36-1/16 | 57-3/8 | 60-3/4 |

SIDE BURNER SPECS



ELECTRICAL REQUIREMENTS :

120V, 60Hz, 1 amp

GAS REQUIREMENTS :

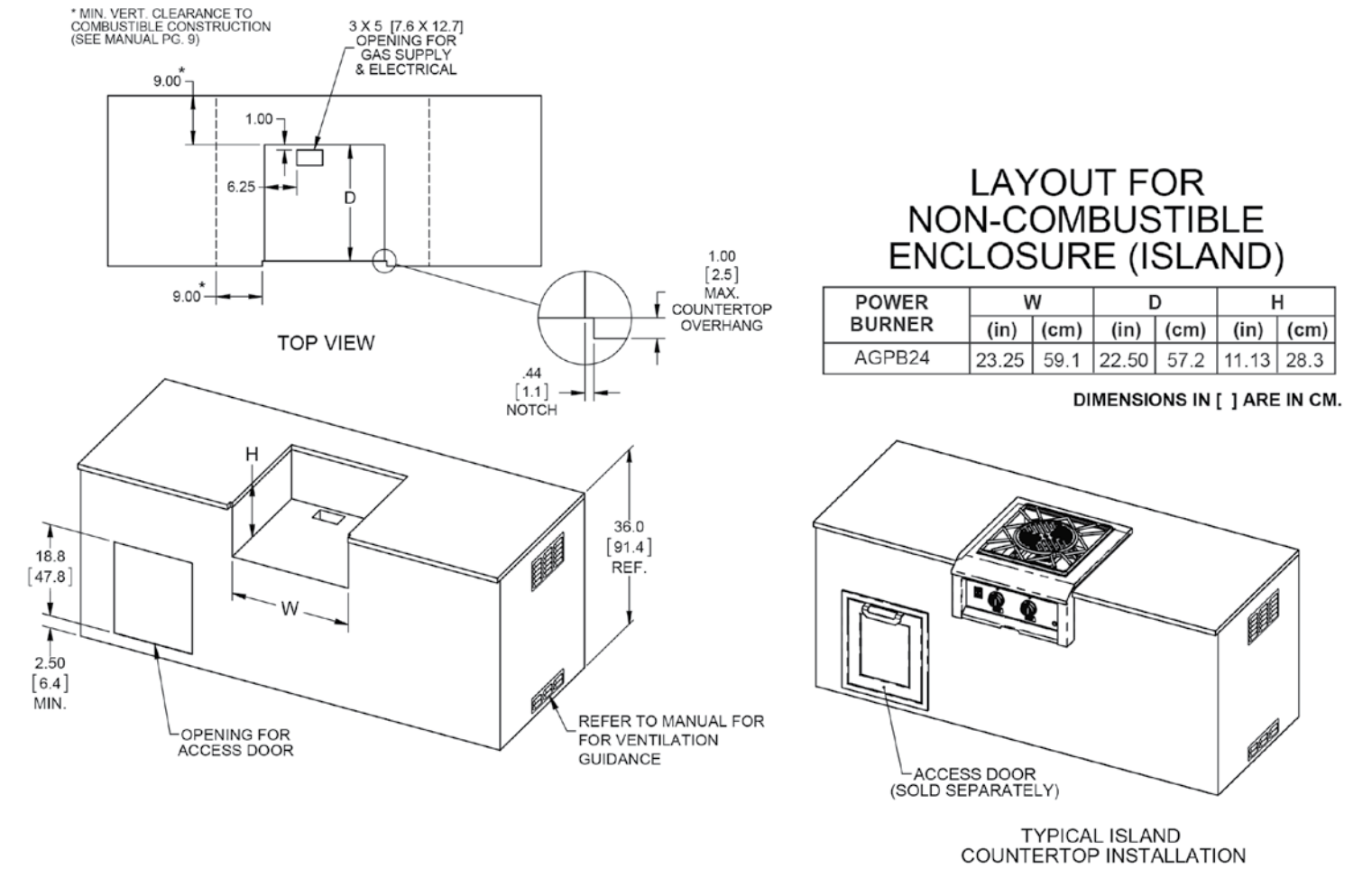
1/2" NPT gas connection. Minimum gas supply is 7" water column for natural gas and 11" for propane. Operating pressure at the manifold is 4" water column for natural gas and 10" for propane. All units require a regulated gas supply. (included)

| All Models | Description | Cutout Dimensions | | | Total Btu's |
|-----------------|---|-------------------|--------|--------|-------------|
| | | W(in.) | D(in.) | H(in.) | |
| AGB121-NG / -LP | Single Side Burner, Built-in, 12" | 11 | 13-7/8 | 11-1/2 | 20,000 |
| AGB122-NG / -LP | Double Side Burner, Built-In or Cart-Attached 12" | 11 | 24-1/4 | 11-1/2 | 30,000 |




Hestan Commercial Corporation reserves the right to change materials and specifications without notice. Please reference our installation instructions for more elaborate detail and as the main source in your dimensional planning. Specify type of gas when ordering.

POWER BURNER SPECS



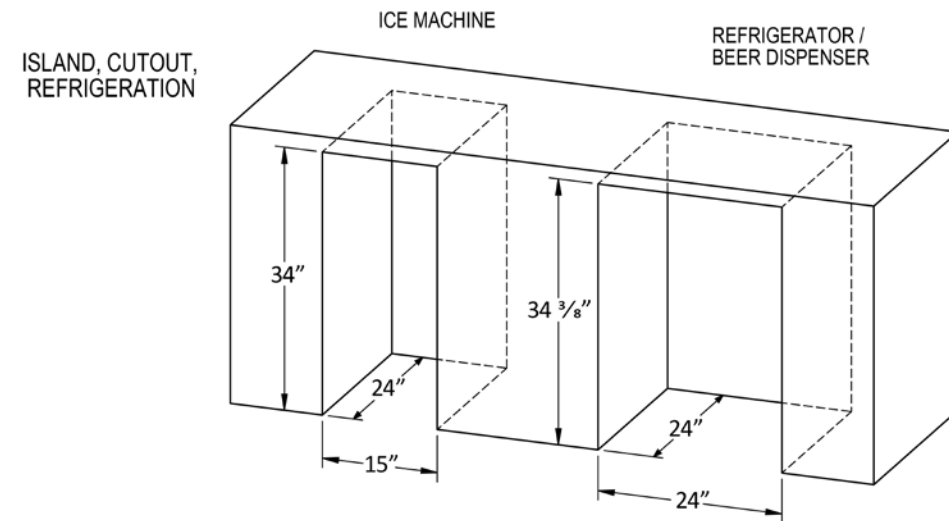
ELECTRICAL REQUIREMENTS : 120V, 60Hz, 1 amp

GAS REQUIREMENTS : 1/2" NPT gas connection. Minimum gas supply is 7" water column for natural gas and 11" for propane. Operating pressure at the manifold is 4" water column for natural gas and 10" for propane. All units require a regulated gas supply. (included) 

Hestan Outdoor products are approved for outdoor use only. Hestan Commercial Corporation reserves the right to change materials and specifications without notice. Please reference our Installation Instructions for more elaborate detail and as the main source in your dimensional planning. Specify type of gas when ordering.

| All Models | Description | Cutout Dimensions | | | Total Btu's |
|-----------------|-----------------------------|-------------------|--------|--------|-------------|
| | | W(in.) | D(in.) | H(in.) | |
| AGPB24-NG / -LP | Power Burner, Built-in, 24" | 23-1/4 | 22-1/2 | 11-1/8 | 70,000 |

REFRIGERATION SPECS



NOTE: See beer dispenser manual for detailed installation information and faucet tower cutout dimensions.

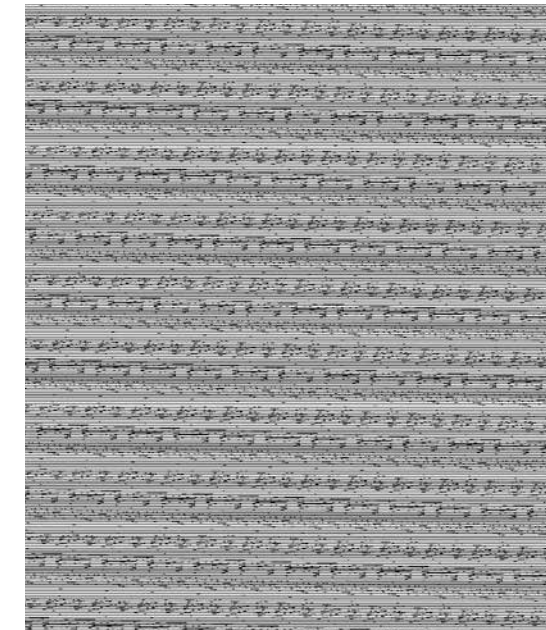
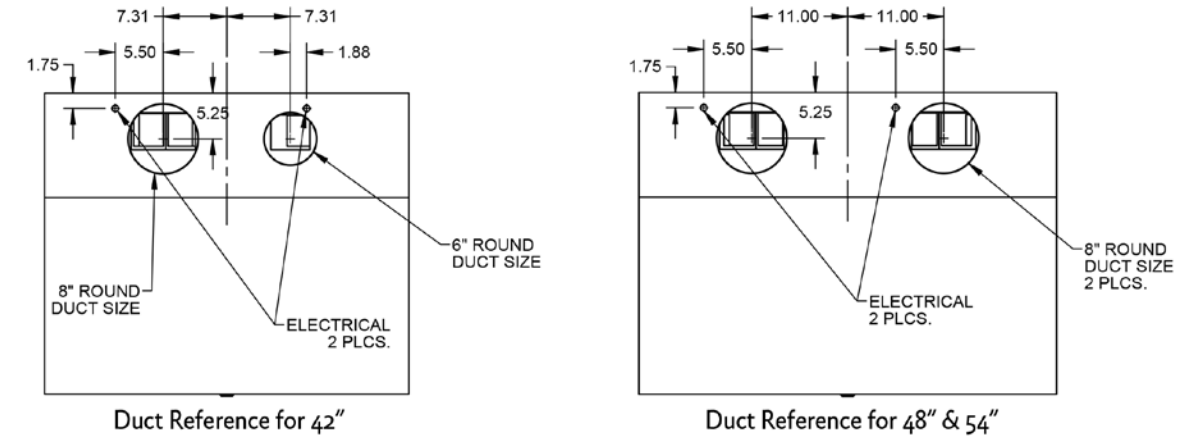
| Models | Description | Electrical Requirements |
|----------|---|--------------------------------|
| GRS_24 | 24" Refrigerator, Solid Door with Lock | 115V, 60Hz., 1 Phase, 2.3 amps |
| GRC_24 | 24" Refrigerator, Glass Door with Lock | 115V, 60Hz., 1 Phase, 2.3 amps |
| GRR24 | 24" Refrigerator Drawers with Lock | 115V, 60Hz., 1 Phase, 2.3 amps |
| GRFR24 | 24" Refrigerator Drawer and Freezer Drawer with Lock | 115V, 60Hz., 1 Phase, 2.3 amps |
| GRWS_24 | 24" Dual Zone Refrigerator w Wine, Solid Door with Lock | 115V, 60Hz., 1 Phase, 2.3 amps |
| GRWG_24 | 24" Dual Zone Refrigerator w Wine, Glass Door with Lock | 115V, 60Hz., 1 Phase, 2.3 amps |
| GFDS_241 | 24" Single Faucet Beer Dispenser, Solid Door with Lock | 115V, 60Hz., 1 Phase, 2.3 amps |
| GFDS_242 | 24" Double Faucet Beer Dispenser, Solid Door with Lock | 115V, 60Hz., 1 Phase, 2.3 amps |
| GIM_15 | 15" Ice Machine | 120V, 60Hz., 1 Phase, 3.8 amps |

_ = Specify (L) or (R) for Left or Right Hinge model



Hestan Commercial Corporation reserves the right to change materials and specifications without notice. Please reference our installation instructions for more elaborate detail and as the main source in your dimensional planning. Specify type of gas when ordering.

VENTILATION SPECS

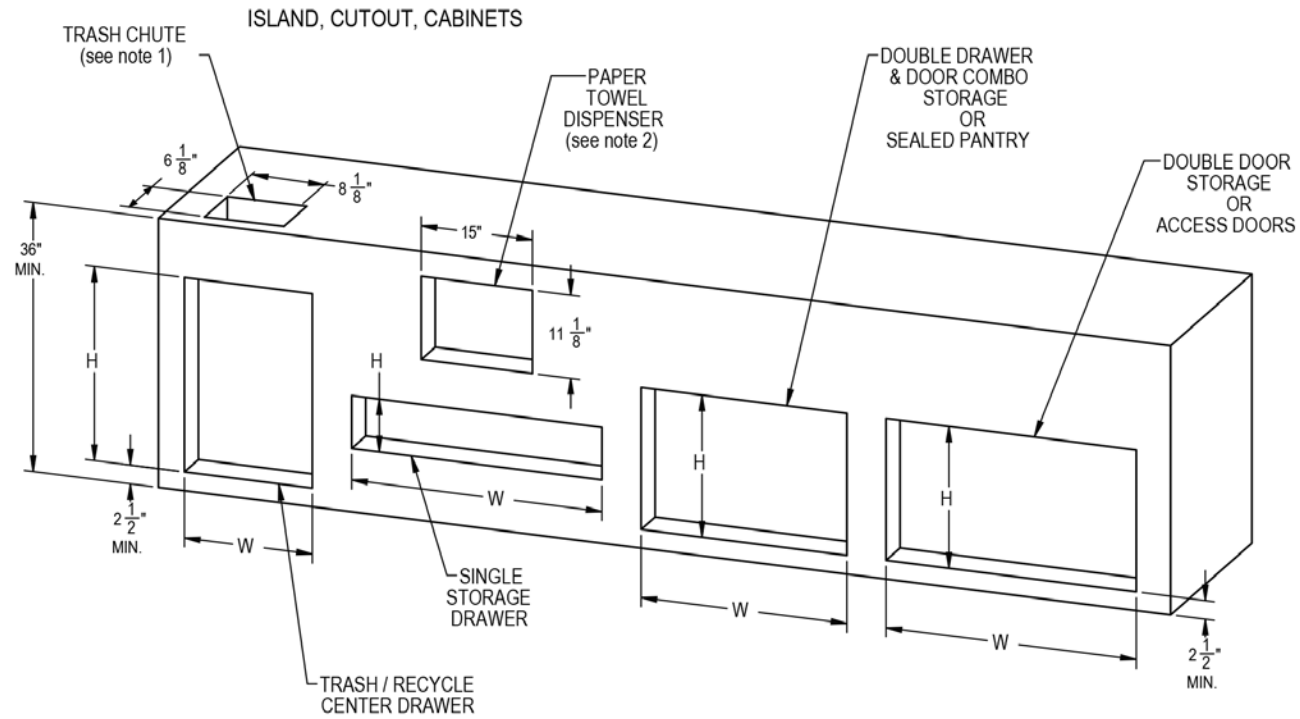


| ALL Models | Description | Width Dimensions X (in.) | Recommended for Grill Size | CFM SP@0.0" | Equivalent CFM** | Duct Sizes Needed | Volts | Amps | Hz | RPM | Sones | # Lights | Approx SHP WT (lbs) |
|------------|------------------------|--------------------------|----------------------------|-------------|------------------|-------------------|-------|------|----|------|-------|----------|---------------------|
| GVP42 | 42" Pro Canopy Outdoor | 41.88 | 30" | 900 | 1350 | 10" | 120 | 6.0 | 60 | 1550 | 6.3 | 3 | 80 |
| GVP48 | 48" Pro Canopy Outdoor | 47.88 | 36" | 1200 | 1800 | 12" | 120 | 7.5 | 60 | 1550 | 6.6 | 3 | 95 |
| GVP54 | 54" Pro Canopy Outdoor | 53.88 | 42" | 1200 | 1800 | 12" | 120 | 7.5 | 60 | 1550 | 6.6 | 4 | 105 |

**When comparing the Hestan system with blower units made by other manufacturers, use the "Equivalent CFM"



ACCESS & STORAGE SPECS



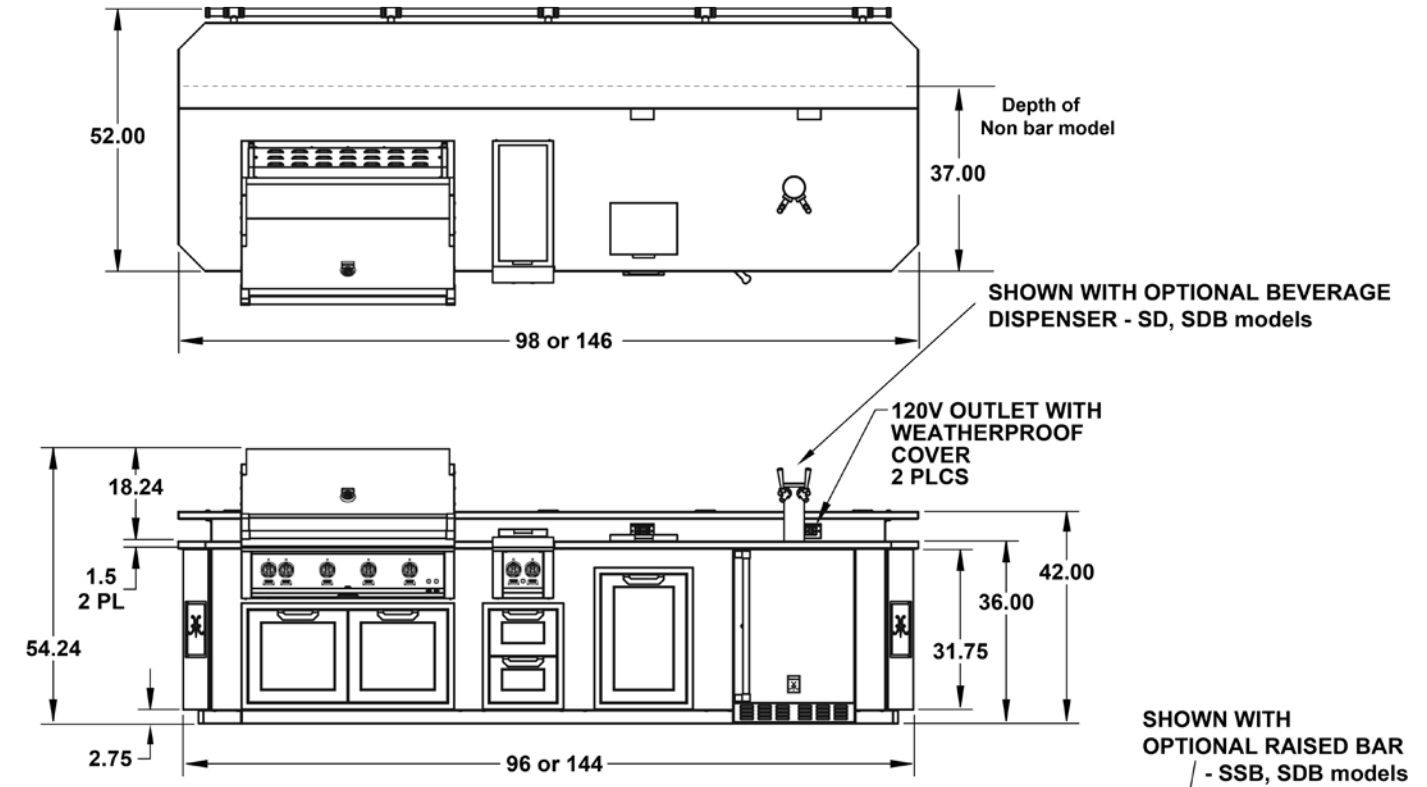
NOTES:

- 1) Trash Chute AGTC cutout depends on type of countertop used. Please refer to installation instructions for details.
- 2) Paper Towel Dispenser AGPTD16 can be installed in 3 different orientations using these cutout dimensions. Please refer to installation instructions for details.

— = specify (L) or (R) for Left or Right Hinge model
 XX = width needed

| Built - In Models | Description | Product Width Options | | Cutout Dimensions | | |
|-------------------|---|-----------------------|-----------------------------|-------------------|---------|--|
| | | W (in.) | W (in.) | D (in.) | H (in.) | |
| AGAD__xx | Single Access Door , with Marquise accent panel | 18" or 24" | 15-7/8" or 21-7/8" | n/a | 19 | |
| AGADxx | Double Access Doors , with Marquise accent panel | 30", 36" or 42" | 27-7/8", 33-7/8" or 39-7/8" | n/a | 19 | |
| AGSDxx | Double Storage Doors , with Marquise accent panel | 30", 36" or 42" | 28-1/8", 34-1/8" or 40-1/8" | 23-3/8 | 19-1/4 | |
| AGSRxx | Single Storage Drawer , all stainless front with Marquise accent handle | 30" or 36" | 28-1/8" or 34-1/8" | 23-1/2 | 9-1/8 | |
| AGDR16 | Double Drawers , with Marquise accent panel | 16" | 13-15/16 | 23-1/2 | 19-3/4 | |
| AGSDRxx | Double Drawer and Storage Door Combination w/ Marquise accent panel | 30", 36" or 42" | 28-1/8", 34-1/8" or 40-1/8" | 23-3/8 | 19-1/4 | |
| AGLP36 | Double Sealed Pantry Storage Doors, with Marquise accent panel | 36" | 34-1/8 | 23-1/2 | 19-1/4 | |
| AGTRC20 | Trash and Recycle Center Storage Drawer, with Marquise accent panel | 20" | 17-5/8 | 24-1/2 | 26-1/4 | |
| AGTC | Countertop Trash Chute with Cutting Board and Cover | - | 6-1/8 | 8-1/8 | n/a | |
| AGPTD16 | Paper Towel Dispenser, with Marquise accent panel | 16" | 11-1/8 | 10-1/8 | 15 | |

OUTDOOR LIVING SUITE SPECS

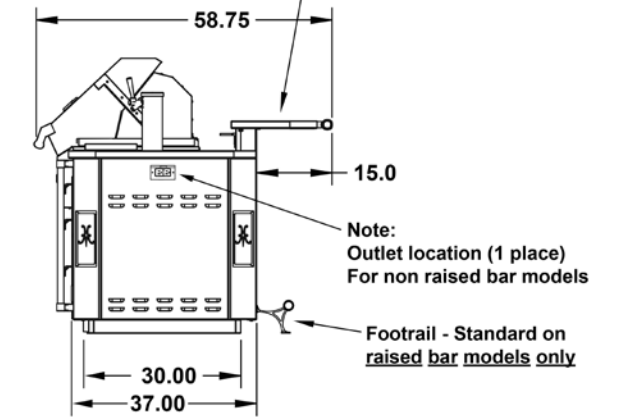


ELECTRICAL REQUIREMENTS :

120V, 60Hz, 20 amp circuit breaker from main service panel

GAS REQUIREMENTS : 1/2" NPT gas connection.

Minimum gas supply is 7" water column for natural gas and 11" for propane. Operating pressure at the manifold is 4" water column for natural gas and 10" for propane.
 All units require a regulated gas supply. (included with appliances)

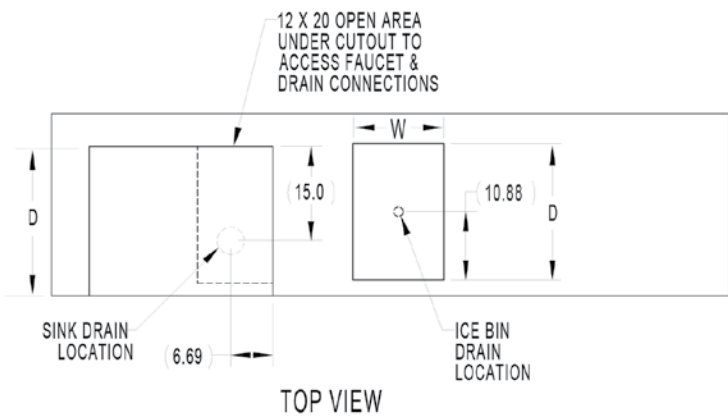
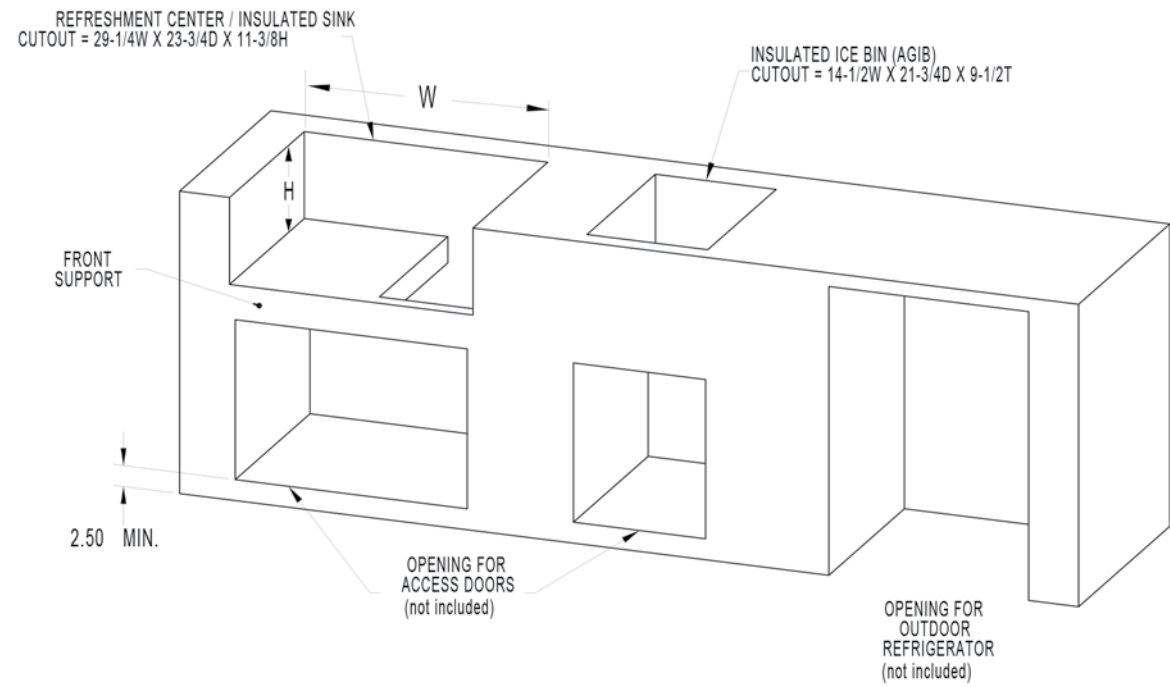


INSTALLATION/ASSEMBLY SHOULD BE PERFORMED BY A QUALIFIED SERVICE TECHNICIAN OR PROFESSIONAL OUTDOOR EQUIPMENT INSTALLER. THE ELECTRICAL COMPONENTS SUPPLIED WITH SUITES MUST BE INSTALLED BY A LICENSED ELECTRICIAN AND CONNECTED IN ACCORDANCE WITH LOCAL CODES. GAS CONNECTIONS MUST BE MADE BY A LICENSED PLUMBER IN ACCORDANCE WITH LOCAL CODES.

| Built - In Models | Description | Weight (lbs) | Note |
|-------------------|--|--------------|--|
| GE __8 | 8' Cooking Suite | 650 | Note : Weights are approximate depending with or without tops or elevated bar top. The unit ships in pieces and assembly is required. Appliances not included. — = top surface options S: no top (user-supplied stone top) SD: ss top w/ beer dispenser SS: ss top SSB: ss top w/bar SDB: ss top w/bar and beer dispenser SB: no top w/ bar (user-supplied stone top & bar) |
| GE __12 | 12' Cooking Suite | 940 | |
| GE __P12 | 12' Cooking Suite with Power Burner | 940 | |
| GE __K12 | 12' Cooking Suite with Egg Shaped Smoker/Grill | 940 | |
| | | | |

Hestan Commercial Corporation reserves the right to change materials and specifications without notice. Please reference our installation instructions for more elaborate detail and as the main source in your dimensional planning. Specify type of gas when ordering.

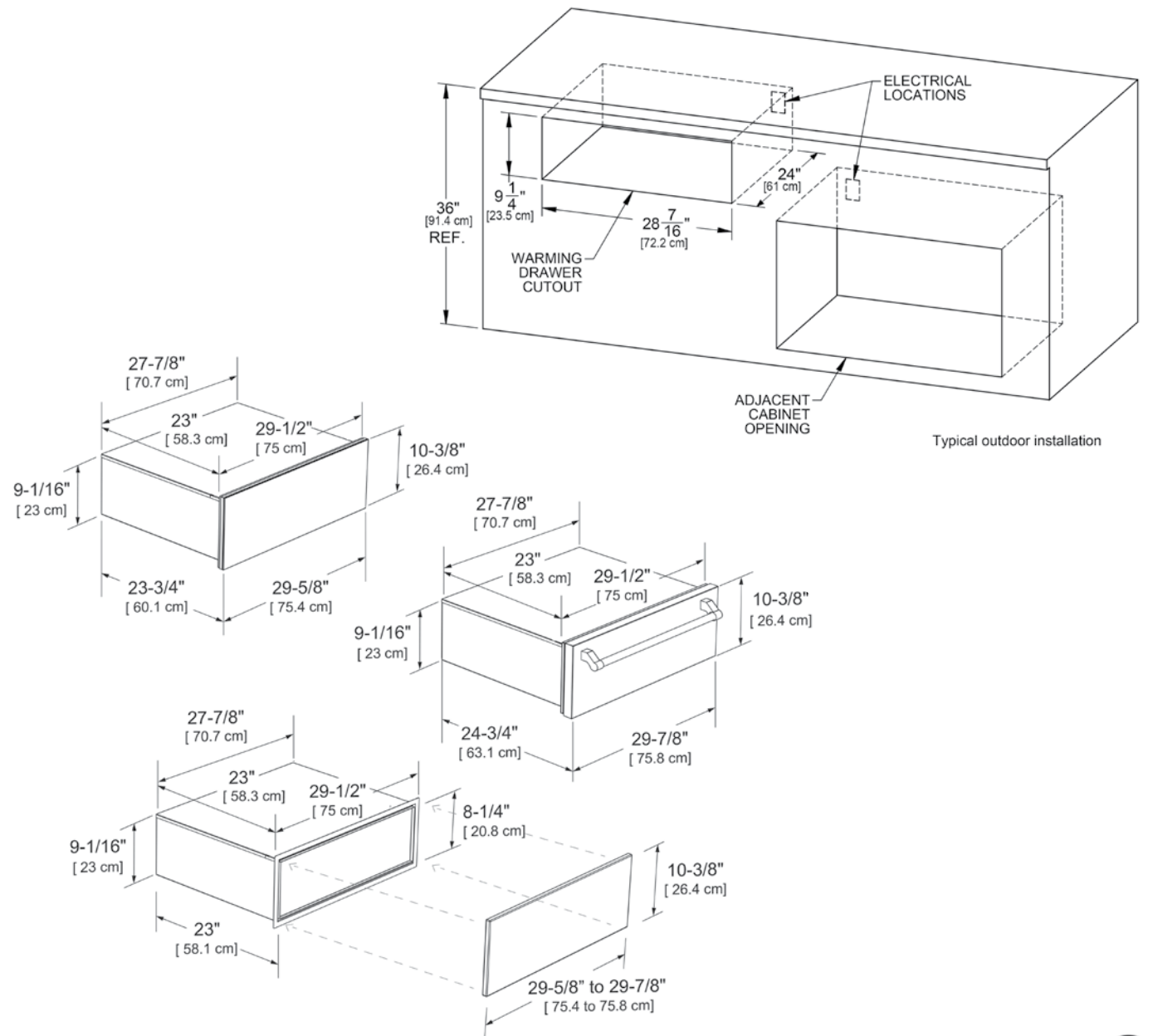
REFRESHMENT CENTER SPECS



| Accessories | Description / Notes |
|-------------|--|
| AGRCSR | Speed Rail 30" / Included with GRC30 & GRCHS30 |
| AGOF | Faucet, Hot/Cold, Single Handle with Pullout Spray / Included with GRC30 & GRCHS30 |

| All Models | Description | Cutout Dimensions | | | Weight |
|------------|-------------------------------------|-------------------|---------|--------|--------|
| | | W(in.) | D(in.) | H(in.) | |
| GRC 30 | Refreshment Center, 30" | 29-1/4 | 24-5/16 | 12 | 120 |
| GRCHS30 | Refreshment Center, High Shelf, 30" | 29-1/4 | 24-5/16 | 12 | 152 |
| GIS 30 | Insulated Sink, 30" | 29-1/4 | 24-5/16 | 12 | 73 |
| GISHS30 | Insulated Sink, High Shelf, 30" | 29-1/4 | 24-5/16 | 12 | 96 |
| AGIB | Ice Bin, Insulated Sink, 16" | 14-1/2 | 21-3/4 | 12 | 41 |

WARMING DRAWER SPECS



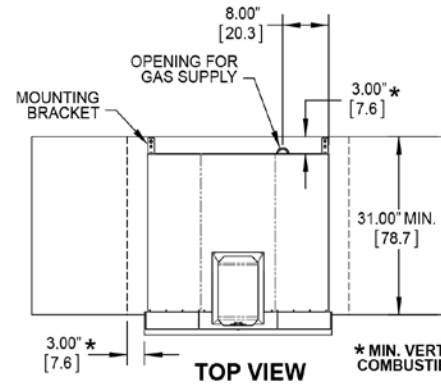
ELECTRICAL REQUIREMENTS: 120V, 60Hz, 7.4 amps

This Hestan product has been approved for outdoor and indoor installations. Hestan Commercial Corporation reserves the right to change materials and specifications without notice. Please reference our installation instructions for more elaborate detail and as the main source in your dimensional planning.

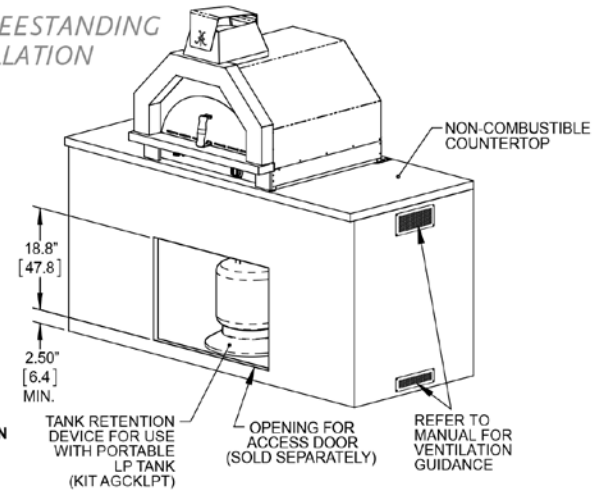
| Built - In Models | Description | Cutout Dimensions | | | Approx SHP WT (lbs) |
|-------------------|----------------------------|-------------------|---------|---------|---------------------|
| | | W (in.) | D (in.) | H (in.) | |
| GWD30 | 30" Outdoor Warming Drawer | 28-7/16 | 24 | 9-1/4 | 79 |

CAMPANIA PIZZA OVEN™ SPECS

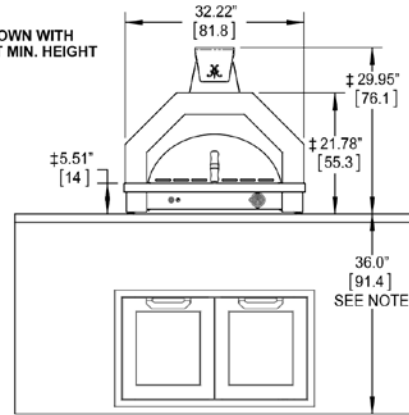
TYPICAL FREESTANDING INSTALLATION



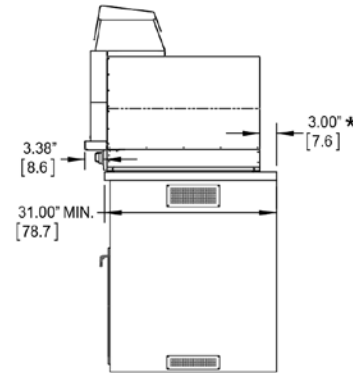
* MIN. VERT. CLEARANCE TO COMBUSTIBLE CONSTRUCTION



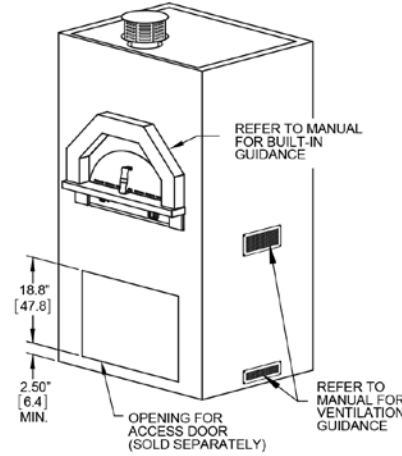
‡ DIMENSIONS SHOWN WITH LEVELING FOOT AT MIN. HEIGHT



NOTE: 36\"/>



BUILT-IN INSTALLATION



ELECTRICAL REQUIREMENTS :

None needed unless upgrading to a light kit (120v)



GAS REQUIREMENTS : 1/2" NPT gas connection. Minimum gas supply is 7" water column for natural gas and 11" for propane. Operating pressure at the manifold is 4" water column for natural gas and 10" for propane.

All units require a regulated gas supply. (included)

Hestan Outdoor products are approved for outdoor use only.

Hestan Commercial Corporation reserves the right to change materials and specifications without notice. Please reference our installation instructions for more elaborate detail and as the main source in your dimensional planning. Specify type of gas when ordering.

| Models | Description | Overall Dims | | | Notes | Total Btu's | Ship WT (lbs) |
|----------------|-------------------------|--------------|--------|--------|-----------------------------|-------------|---------------|
| | | W(in.) | D(in.) | H(in.) | | | |
| AGPO33-NG / LP | 33" Campania Pizza Oven | 32 1/4 | 31 | 30 | No light / SS only Finish** | 19,000 | 225 |

** for light with ss finish or color finish include kit (AGPO33LK-XX)

XX = specified color finish





hestanappliances.com
888.905.7463 3375 E. La
Palma Avenue Anaheim,
CA 92806



canadaoutdoorkitchens.com
844-378-7887

★
★
★

ASPIRE

HESTAN



PRECISION RELAXATION.
ASPIRE OUTDOOR KITCHENS.

CANADA
OUTDOOR
KITCHENS

IT'S MORE THAN AN OUTDOOR KITCHEN. IT'S A FULL-THROTTLE ESCAPE VEHICLE.

Grilling is sky-blue freedom. Your time. Your people. And Aspire is your oasis – a complete outdoor kitchen finely tuned to tune out the real world. High-performance burners. Precision control. Heavy-duty construction. And cold refreshment always at the ready. We took the stress out of grilling. So you can actually enjoy the party yourself. No fiddling and fussing. Hit ignition and take an instant vacation.





GRILLS



42" Grill on Tower Cart with Double Doors, also available in 30" and 36" widths (Grill sold separately)

5/16" STAINLESS STEEL ROD GRATES

BUILT TO LAST AND EASY TO CLEAN.



36" Built-in Grill with Rotisserie, also available in 30" and 42" widths

HOT SURFACE IGNITION SYSTEM

LIGHTS WITHOUT A SINGLE "CLICK."



30" Built-in Grill, also available in 36" and 42" widths

INFRARED SEAR BURNER

Variable ceramic infrared sear burner locks in flavor with 23,000 BTUs of searing heat. Rotisserie models also feature a ceramic infrared burner to seal in juices for perfectly tender results.



EVERY ASPIRE GRILL

is engineered, designed and built in Anaheim, California. You'll see the Hestan team's years of experience working with professional chefs reflected in the superior materials, powerful performance and precision control.

The 304-grade stainless steel burner delivers a searing 23,000 BTUs and years of reliability. Double-sided ceramic briquettes capture drippings for sizzling flavor. Then simply flip them over to clean as you grill. Dual halogen lighting illuminates the entire grill interior. And spring-assisted hinges make it easy to lift and close the satisfyingly heavy-duty hood.





REFRIGERATION

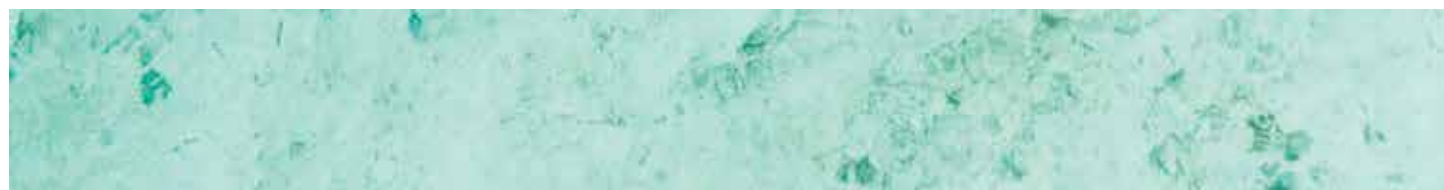




ASPIRE OUTDOOR REFRIGERATION

is built to entertain in style. The undercounter refrigerator offers precision temperature control from 36° to 64° F, so you can store fresh ingredients or your beverage of choice at its optimum temperature. Chrome-plated adjustable shelves easily accommodate bottles, cans, growlers or large dishes.

The drop-in cooler is thoughtfully designed at bottle depth so wine bottles can be chilled upright. Exceptional insulation keeps everything ice cold through the night. And condiment trays offer handy storage for chilled snacks and garnishes. Of course, both the cooler and refrigerator are built from 304-grade stainless steel to weather every season – and every party.



24" Drop-In Cooler

LARGE-CAPACITY STORAGE

With 5.6 cubic feet of capacity, the undercounter refrigerator accommodates more than enough burgers to fill the grill.



24" Undercounter Refrigerator

ICE-COLD BEER TO CHARDONNAY

Reliable temperature control from 36° to 64° F allows for optimum storage of everything from fresh salmon to your favorite wine.



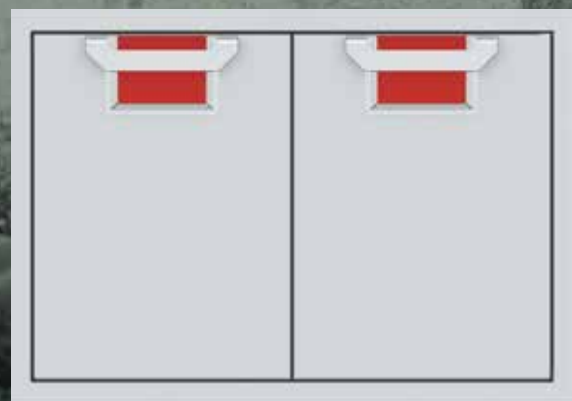
Extra-deep cooler chills wine bottles upright.

HEAVY-DUTY LID & INSULATION

A drop-in cooler with 304-grade stainless steel lid and body, coupled with high-performance insulation, keeps everything chilled until the party's over.



24" Drop-In Cooler

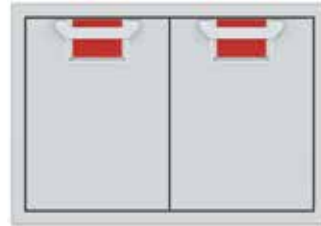


STORAGE & CLEANUP



MARQUISE ACCENTED™ PANELS,

heavy-gauge body construction and commercial-grade handles perfectly complement Aspire grills.



30," 36" and 42"
Double Access Doors



30," 36" and 42"
Combo Door/Drawers



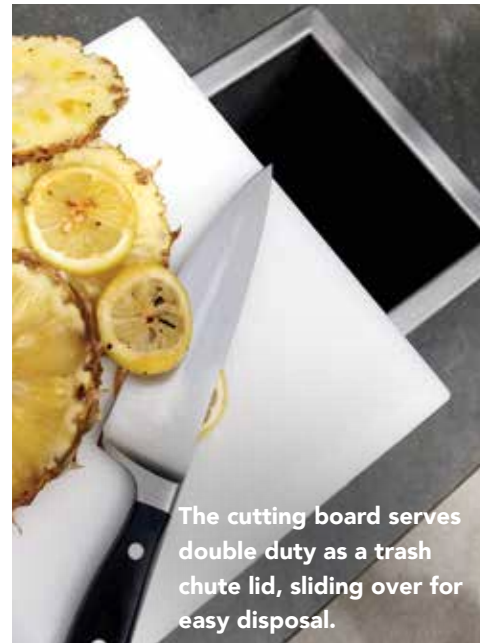
18" and 24"
Single Access Doors



16" Double Drawers



Paper Towel Dispenser



The cutting board serves double duty as a trash chute lid, sliding over for easy disposal.



GREAT HOSTS NEVER

reveal their clutter. Storage doors and drawers provide convenient access to everything from grill tools to secret spice rubs. Keep your oasis tidy with specialized cleanup options like a commercial-grade cutting board that slides over to reveal the trash chute for easy scrap disposal. Trash drawers keep your recycling and trash bins hidden away until your guests go home.

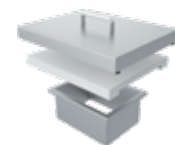


DRAWERS, DOORS & COMBOS

Customize your outdoor kitchen with specialty storage options ranging from 16" drawers to 42" combo door/drawer units.



20" Trash & Recycle
Storage Drawer



Countertop Trash Chute



COMPLEMENTARY PRODUCTS





Complement your entertaining style with your choice of Aspire's exclusive color finishes. From the stainless gleam of Steeetto to the soft sunset of Reef, the vibe is all yours.



ADD EVEN MORE

culinary performance to your Aspire outdoor kitchen with side burners. The 20,000 BTU burner delivers enough power for a crab boil and enough control for béarnaise sauce. The custom-built stainless steel smoker set imparts the perfect touch of smoke from your favorite wood chips. Insulated jackets offer extra safety for grill enclosures, and a custom-fitted grill cover provides extra protection from the elements.

SIDE BURNERS

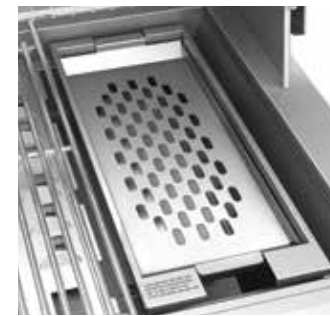
The high-performance sealed side burner system delivers a 20,000 BTU flame. The double burner model also includes a 10,000 BTU burner.



12" Single or Double Side Burners



Optional DiamondCut™ Grates offer an exceptional grilling surface with ultra heavy-duty 5/16" stainless steel laser cut in-house.



This ingenious charcoal tray gives you the best of both grilling worlds – easily lighting lump coal, briquettes or wood chips.

INSULATED JACKETS

30," 36" or 42" insulated jackets offer easy installation while providing extra safety for combustible enclosures.



The optional griddle plate pops onto grates, providing the perfect cooking surface for bacon, pancakes and more.



Robust vinyl covers with protective lining fend off the elements.



Caster covers upgrade your grill to give it a more streamlined look.



HEAVY-DUTY SMOKER SET

304 heavy-gauge stainless steel smoker set optimizes draft and flow-through for maximum smoke.



HESTANASPIRE.COM

888.905.7463

3375 E. La Palma Avenue

Anaheim, CA 92806



canadaoutdoorkitchens.com

844-378-7887

